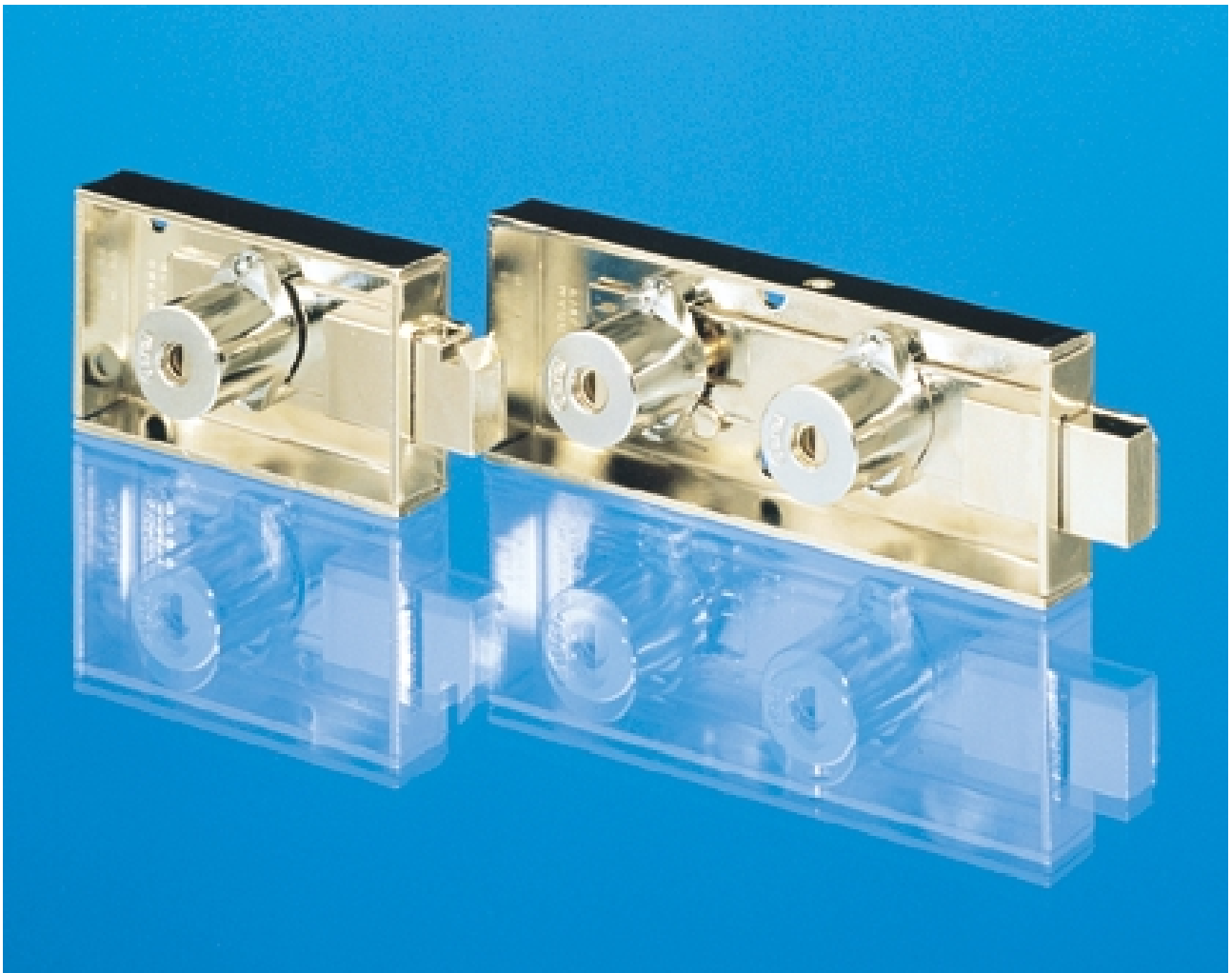


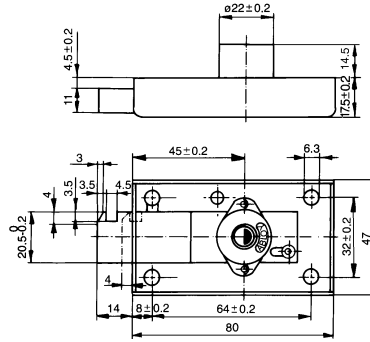
# ABLOY® SAFE DEPOSIT LOCKS SC200, SC201



Abloy Oy has a long and wide experience in locking safe deposits, safes and other equipment demanding special locking security.

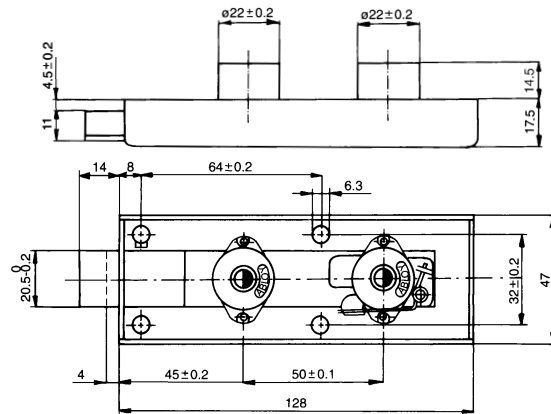
## ABLOY® SC200

ABLOY® SC200 is a single-cylinder lock operated with customer's key. It can be connected to operate with an electric striker plate. After the electric striker plate has been released, the customer can open the mechanical lock. The locking can be done with the customer's key only. The cylinder housing is chrome plated zinc. Lock case and bolt are made of nickel plated steel.



## ABLOY® SC201

ABLOY® SC201 includes two mechanically operating cylinders, of which one is operated with customer's key and the other is operated by the banker's key. To open the lock both keys are needed but the locking can be carried out with the customer's key only. The cylinder housing is chrome plated zinc and the lock case and bolt are made of nickel plated steel. When ordering please specify the number of keys required for the banker's cylinders and whether they should be keyed alike.



Cylinder types available:

- C = ABLOY® CLASSIC  
(2 keys included)
- P = ABLOY® PROFILE  
(2 keys included)
- E = ABLOY® EXEC  
(keys must be ordered separately)



## THE SUPERIORITY OF ABLOY® IS BASED ON SEVERAL FACTS:

- the cylinder mechanism is based on rotating detainer discs guaranteeing the optimum protection against picking
- ABLOY® is designed to resist even the toughest physical attack
- additional keys can be supplied depending on the original security level provided
- ABLOY® features wide master keying possibilities
- safe deposit locks can be opened either mechanically or they can be controlled by an electric release
- Abloy Oy can provide locks for the customer's own applications
- Abloy Oy offers high quality products with professional maintenance and service through the international network of distributors.



Abloy Oy  
Wahlforssinkatu 20  
P.O. Box 108  
FIN-80101 JOENSUU  
FINLAND  
Tel. +358 13 2501  
Fax +358 13 250 2209



ABLOY® is a registered trademark of Abloy Oy.

[www.abloy.com](http://www.abloy.com)

Abloy Oy is an ASSA ABLOY Group company.

The ASSA ABLOY Group is the world's leading manufacturer and supplier of locks and associated products, dedicated to satisfying end user needs for security, safety and convenience.