



Statement on the influence of ABLOY[®] INOXI HANDLE SET products X/012, X/012/120, X/013 and X/013/120 to the fire resistance of timber, metal and profile doors

Requested by: Abloy Oy, Tampere factory

Requested by Abloy Oy, Tampere factory
P.O. Box 14 (Visiting address: Tohlopinranta 28)
FI-33271 Tampere, Finland

Order: E-mail order by Ms Ritva Haavisto. Date of order was 20 June 2008

Organisation undertaking statement

VTT Technical Research Centre of Finland
Fire Safety
P.O. Box 1000 (Visiting address: Kivimiehentie 4, FI-02150 Espoo, Finland)
FI-02044 VTT, Finland

Contact informations:

Tel + 358 20 722 111, Fax + 358 20 722 4815
E-mail: forename.surname@vtt.fi

Statement on the influence of ABLOY® INOXI HANDLE SET products X/012, X/012/120, X/013 and X/013/120 to the fire resistance of timber, metal and profile doors

Request for comments The client requests a statement concerning the influence of ABLOY® INOXI HANDLE SET products X/012, X/012/120, X/013 and X/013/120 to the fire resistance of timber, metal and profile (glazed metal) doors. In type marking X is lever handle types ABLOY® INOXI 3-19 series or 24, 012 and 013 are long plate types and 120 is a pull knob type.

Combinations of ABLOY® INOXI HANDLE SET products are presented on page 4 in enclosure of this test report.

Detailed drawings of ABLOY® INOX HANDLE SETS are filed in the archive of VTT in the file folder of this task.

Background information This statement is supported by following two test reports delivered by the sponsor:

Test report No RTE3405/06 (25 August 2006) of VTT.

“Fire resistance test on two single leaf hinged glazed doors with transom panel and equipped with Abloy locking and closing systems”

In the fire resistance test two identical single leaf hinged glazed doors equipped with Abloy locking and closing systems was tested at the same time. The fire resistance test was carried out on 24 March 2006 according to standard EN 1634-1. At the fire resistance test the other door opened towards the fire and the other door away from the fire. Duration of the fire test was 58 minutes.

The tested doors were equipped with handle type ABLOY® 3-19 A-1319, pull knob type 120 and RST long plate.

At the fire resistance test the door opened towards the fire met the requirements for integrity (E) during 58 minutes and for insulation (I₂) during 27 minutes. The door opened away from the fire met the requirements for integrity (E) during 58 minutes and for insulation (I₂) during 29 minutes.

Test report No RTE2313/06 (3 April 2006) of VTT.

“Fire resistance test on two single leaf hinged steel doors equipped with Abloy locking and closing systems”

In the fire resistance test two identical single leaf hinged steel doors equipped with Abloy locking and closing systems was tested at the same time. The fire resistance test was carried out on 17 February 2006 according to standard EN 1634-1. At the fire resistance test the other door opened towards the fire and the other door away from the fire. Duration of the fire test was 120 minutes.

The tested doors were equipped with handle type ABLOY® 3-19 A-1319, pull knob type 120 and RST long plate.

At the fire resistance test the door opened towards the fire met the requirements for integrity (E) during 98 minutes and for insulation (I₂) during 29 minutes. The door opened away from the fire met the requirements for integrity (E) during 120 minutes and for insulation (I₂) during 39 minutes.

Statement

We state as our opinion that if original handle set products of the timber, metal or profile doors classified according to the classification standard EN 13501-2 to the fire classes from EI₁15 to EI₁120 and/or from EI₂15 to EI₂120 is replaced with ABLOY® INOXI HANDLE SET products the fire classification of the door does not decrease.

Annotation

This statement is not an approval of product but an evaluation of the influence of ABLOY® INOXI HANDLE SET products to the fire resistance of doors.

Espoo, 1 July 2008



Riitta Kajastila
Research Engineer



Matti Immonen
Research Engineer

ENCLOSURE

Brochure of ABLOY® INOXI HANDLE SETS

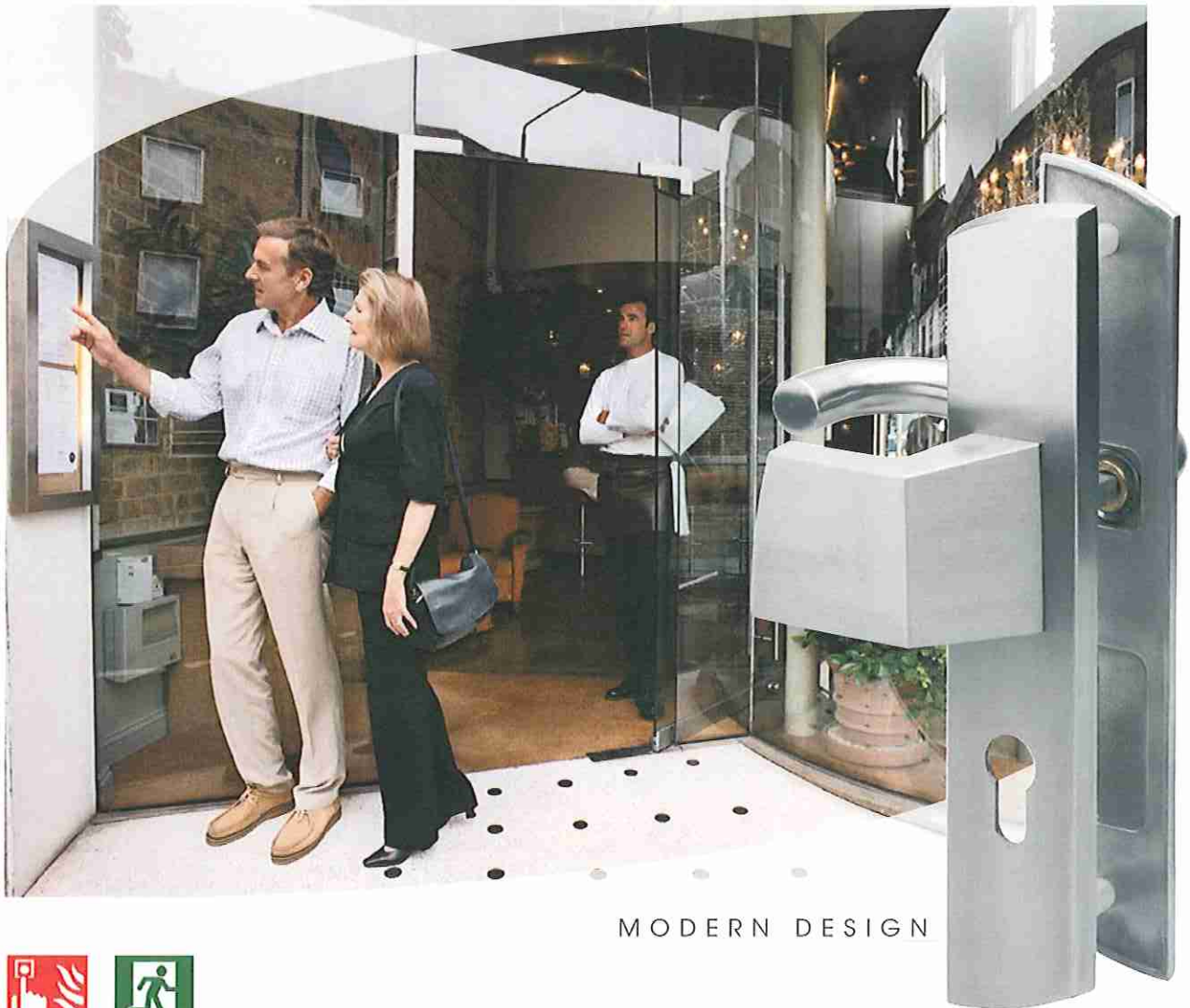
DISTRIBUTION

Client	Originals (2 pcs)
VTT/Register Office	Original
VTT/File folder	Original

4-/VTT-V-30133-08/AP105/Mim

INOXI HANDLE SETS

for ABLOY® electromechanical locks



MODERN DESIGN



ABLOY® INOXI HANDLE SETS WITH EN179 APPROVAL FOR ABLOY® EL520 AND EL560/561 LOCKS



ABLOY INOXI 3-19/012/120 PZ+BL



ABLOY INOXI 3-19/012/120 PZ+PZ



ABLOY INOXI 3-19/012 PZ+PZ



ABLOY INOXI 3-19/012 PZ+BL

APPENDIX NO. 2(4)
 REPORT NO: VTT-S-5951-08
 SIGNATURE M. Tuomi
 VTT TECHNICAL RESEARCH

The new ABLOY® fittings equipped with long plates have been designed for use with ABLOY® EL420/EL520 and ABLOY® EL460/EL560 locks. This selection includes solutions for both solid and profile doors. On the broader plate suitable for solid doors, the distance between the holes is 72 mm, and on the narrower plate designed for profile doors, it is 92 mm. Both a normal and a split spindle can be used with the fittings.

The fittings can be equipped with a pair of handles or a combination of a handle and a pull/push handle. They are made of stainless steel, and the design of the plates follows modern trends. Five different handle types are available.

The fittings have been tested according to EN standards, and with handle 3-19, they are approved for use according to standard EN179. They have also been tested and approved for use on fire doors according to standard EN1634-1.

ABLOY® INOXI HANDLE SETS WITH EN179 APPROVAL FOR ABLOY® EL420 AND EL460/461 LOCKS



ABLOY INOXI 3-19/013/120 PZ+BL



ABLOY INOXI 3-19/013/120 PZ+PZ



ABLOY INOXI 3-19/013 PZ+PZ



ABLOY INOXI 3-19/013 PZ+BL

APPENDIX NO. - 3(4)
 REPORT NO: VTT-5-5951-08
 SIGNATURE *M. Puumala*
 VTT TECHNICAL RESEARCH
 CENTRE OF FINLAND

OTHER HANDLE MODELS (WITHOUT EN179 APPROVAL)



ABLOY INOXI 3-19s

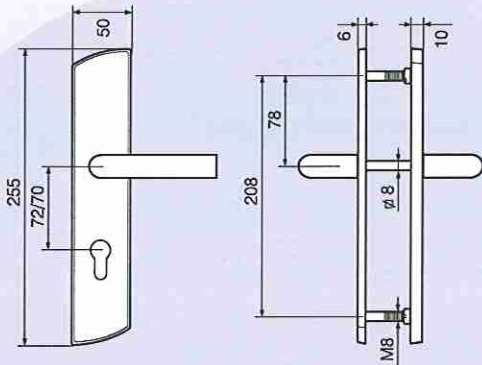
ABLOY INOXI 24



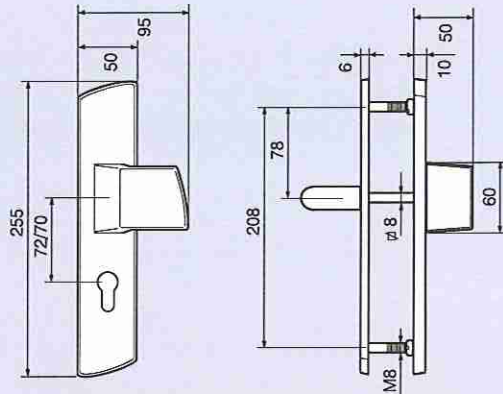
ABLOY INOXI 3-19ss

ABLOY INOXI 3-19st

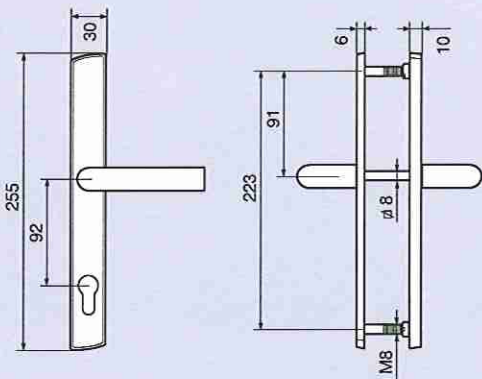
ABLOY® INOXI HANDLE SETS DIMENSIONAL DRAWINGS



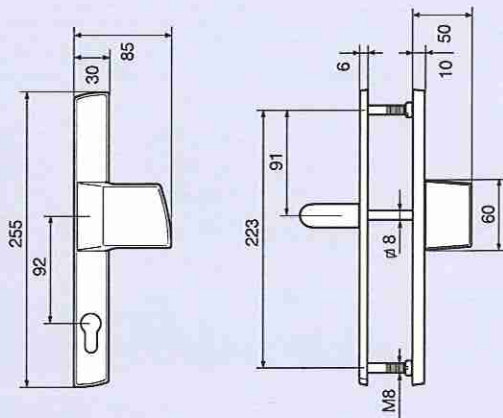
ABLOY INOXI 3-19/012



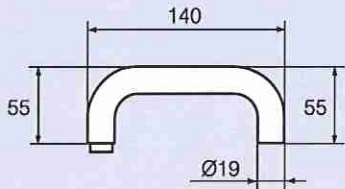
ABLOY INOXI 3-19/012/120



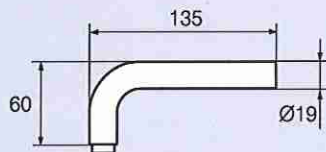
ABLOY INOXI 3-19/013



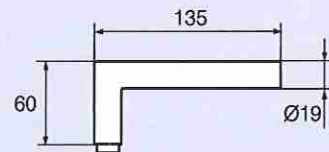
ABLOY INOXI 3-19/013/120



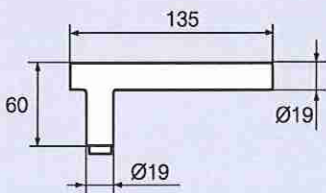
ABLOY INOXI 3-19



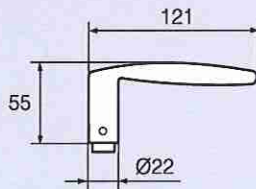
ABLOY INOXI 3-19s



ABLOY INOXI 3-19ss



ABLOY INOXI 3-19st



ABLOY INOXI 24

APPENDIX NO. 4(4)
 REPORT NO: VTT55951-08
 SIGNATURE M. Puumala
 VTT TECHNICAL RESEARCH
 CENTRE OF FINLAND



www.abloy.com

Abloy Oy
 Tohlopinranta 28
 FI-33270 TAMPERE
 FINLAND
 tel. +358 20 599 3111
 fax +358 20 599 3480

