

# ABLOY® EL502 ELECTROMECHANICAL LOCK FOR WOODEN DOORS SCANDINAVIAN RANGE



Electromechanical lock case **ABLOY® EL502** with new double action bolt construction combines user friendly function with durability.

## TECHNICAL DETAILS

Operating voltage	12-24 VDC (-10%/+15%)
Current consumption	max 550 mA (12 VDC) idle 240 mA (12 VDC) max 270 mA (24 VDC) idle 110mA (24 VDC)
Temperature range	-20°C...+60°C
Bolt throw	14,5 mm
Backset	50 mm
Forend	22 mm

## FINISH

Chrome plated forend

## CYLINDERS

- Scandinavian oval and round cylinders;  
**ABLOY® DISKLOCK PRO**, **ABLOY® PROTEC**,  
ASSA, RUKO, TrioVing or other.
- Finnish type; **ABLOY® CLASSIC**,  
**ABLOY® DISKLOCK PRO**, **ABLOY® PROTEC**.

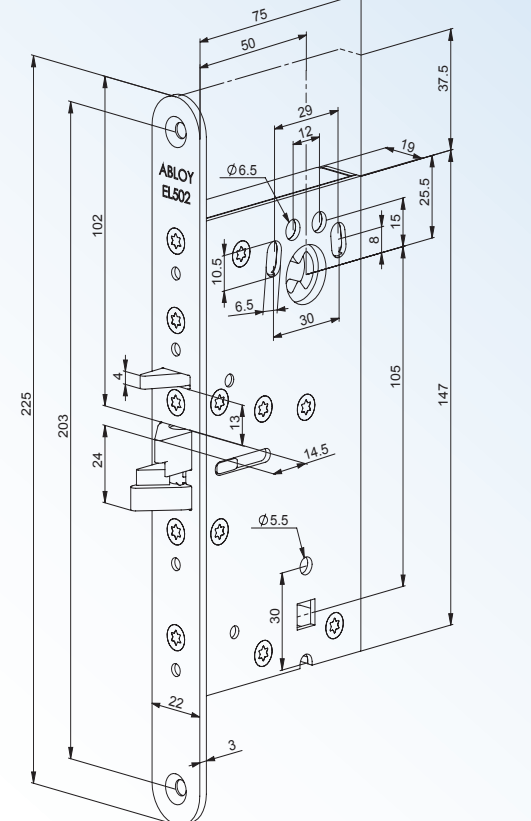
## PACKAGE

Lock case, connection plugs, fixing screws, lock case manual

## MONITORING

Deadlocking status of double action bolt

## DIMENSIONS



## APPLICATION

**ABLOY® EL502** is typically used in the interior doors of business premises and educational buildings.

The locks include a special double action bolt for quick and easy use and offer a cost-effective way of electric locking that is highly advantageous in comparison to e.g. electric strike.

The locks can be controlled by a variety of electrical impulse generating equipment such as card reader keypad and timer. The locks can be connected to automatic swing door operators and are an excellent solution for access control systems. Because of its symmetrical trigger bolt, **ABLOY® EL502** can be used in swinging doors.

## FUNCTION

Door can be opened by pushing or pulling when electric control is switched on.

**ABLOY® EL502** can be configured to operate also fail unlocked, when the door can be opened by pushing or pulling when the electric control is switched off.

Lock can always be opened mechanically by key or by thumbturn and the it deadlocks automatically when the door closes.

New functional features

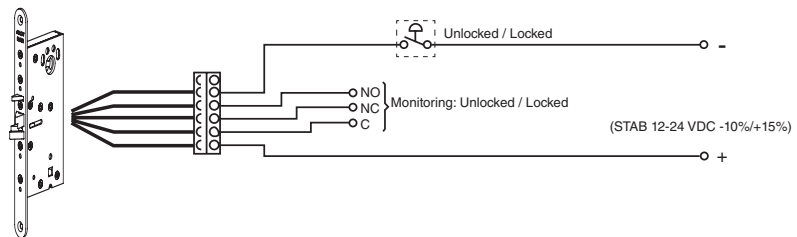
- Non-handed symmetrical trigger bolt
- Immediate release of deadlocking
- Configurable fail locked/ fail unlocked
- Wide operating voltage

**ABLOY® EL502** lock cases are not recommended for use in doors with seal force.

The lock can not be used in fire rated doors.

In swinging doors the lock may be locked only when the door has completely stopped in the closed -position.

## WIRING PRINCIPLE



## CYLINDERS

C = **ABLOY® CLASSIC**, D = **ABLOY® DISKLOCK PRO**, N = **ABLOY® PROTEC**

Single	w/ thumbturn	CY001C, D, N	Finnish
		CY013C, D, N	Finnish
		CY016C, D, N *)	Finnish
		CY028C, D, N	Finnish
		CY201D, N	Scandinavian oval
Double		CY002C, D, N	Finnish
		CY029C, D, N	Finnish
		CY062C, D, N	Finnish
		CY202D, N	Scandinavian oval
		CY205D, N	Scandinavian oval

\*) Compatible with emergency exit dome 6488

## ACCESSORIES (Please order separately)

Cable	<b>ABLOY® EA211</b> (6m) <b>ABLOY® EA221</b> (10m)
Lead cover	<b>ABLOY® EA280</b> <b>ABLOY® EA281</b>
Strike	<b>ABLOY® LP711</b> <b>ABLOY® LP714</b> <b>ABLOY® LP721</b> (rebated) <b>ABLOY® LP731</b> (rebated)
	<b>ABLOY® EA307</b> <b>ABLOY® EA308</b> <b>ABLOY® 4613</b> <b>ABLOY® 4614</b>



www.abloy.com

Abloy Oy  
Wahlforssinkatu 20  
P.O.Box 108  
FI-80101 JOENSUU  
FINLAND  
Tel. +358 20 599 2501  
Fax +358 20 599 2209



An ASSA ABLOY Group brand

Abloy Oy is one of the leading manufacturers of locks, locking systems and architectural hardware and the world's leading developer of products in the field of electromechanical locking technology.

ASSA ABLOY is the global leader in door opening solutions, dedicated to satisfying end-user needs for security, safety and convenience.

**ASSA ABLOY**